

GLOCK News

The new Generation – G17 Gen5 & G19 Gen5

www.glock.com



GEN5

Dear partners and customers!

The development of the Gen5 pistols combined the standards of high-level performance and reliability with distinctive design enhancements to improve durability, accuracy, and performance. The benefits enhance the shooter experience at the range and in high-stress situations where fractions of a second matter.

Through rigorous testing and development, GLOCK has combined the historical reliability and trust in the brand with precisely engineered design changes to meet the demand of consumers world-wide.

Among the design changes are 5 key features. The GLOCK Marksman Barrel (GMB) utilizes new barrel rifling to deliver improved accuracy. The removal of the finger grooves and an added ambidextrous slide stop delivers improved control and flexibility. The nDLC finish is a tougher and more durable finish that is exclusive to the GLOCK manufacturing process. Introduction of a flared mag-well increases performance by making it easier to funnel the magazine into the mag-well, particularly in high-stress situations.

For more information about the new generation of GLOCK pistols, contact GLOCK or go to eu.glock.com/Gen5.



GLOCK MARKSMAN BARREL

The GLOCK Marksman Barrel (GMB) features new barrel rifling which delivers improved accuracy.



nDLC finish for barrel and slide

The nDLC finish is exclusive to the GLOCK Gen5 models. It increases protection against corrosion and scratching and improves the ability of the pistol to function in degraded or adverse conditions.



AMBIDEXTRIOUS SLIDE STOP LEVER

The ambidextrous slide stop lever makes it easier for gun owners to quickly, safely and comfortably manipulate the slide whether they are left-handed or right-handed.



REMOVAL OF THE FINGER GROOVES ON THE GRIP

The absence of finger grooves improves the ability of the pistol to deliver a consistently comfortable grip to a wider range of consumers, regardless of their finger size and whether or not gloves are worn.



NEW GLOCK MAGAZINE (01, ORANGE)

The GLOCK magazine comes with a new style – an orange follower and a floor plate which is enlarged at the front for faster magazine change.



FLARED MAG-WELL

The larger opening of the flared mag-well makes it easier to funnel the magazine into the mag-well, particularly in high-stress situations where fractions of seconds matter.

+ The GLOCK Gen5 models also feature some of the proven Gen4 advantages, such as:



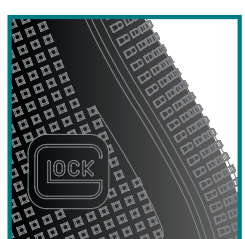
MODULAR BACKSTRAP AND BEAVERTAIL SYSTEM

Every GLOCK Gen4 and Gen5 model comes with backstraps in two sizes each one with or without beaver tail. The multiple backstrap frame allows the users to change the circumference of the grip to fit their individual hand size.



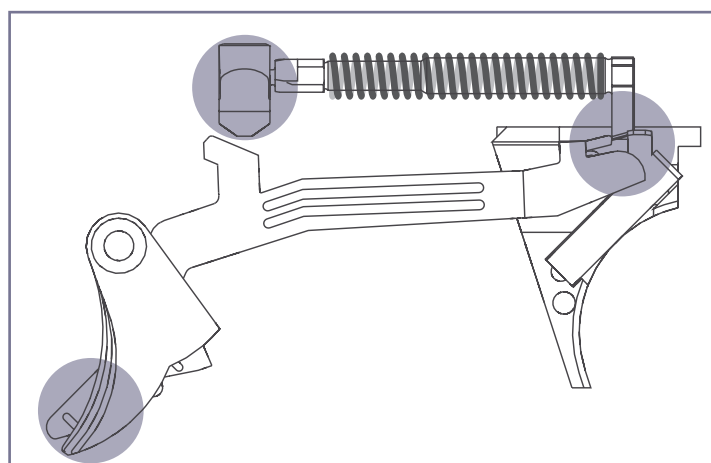
ENLARGED REVERSIBLE MAGAZINE CATCH

The magazine catch of the Gen4 and Gen5 frames is reversible and enlarged towards the rear of the pistol. The reversible magazine catch is more user friendly to the shooter's reach and allows them to switch the catch to the left or right side of the pistol.



RTF ROUGH TEXTURED FRAME SURFACE

The Gen4 and Gen5 have a rough textured frame (Gen4 RTF) surface designed to enhance grip traction, without being too aggressive. It is present on the frame as well as on the interchangeable backstraps.



GLOCK's Safe Action® System makes the handgun ready for use at any time.

Three automatic independently operating mechanical safeties are built into the fire control system of the pistol and are operated by the trigger.

The safeties protect against inadvertent firing when the pistol is dropped or receives any other abnormal shocks.

For more Gen4 and Gen5 features visit www.glock.com